

Posibilidad de combinar un asiento plano y un asiento cuna.  
 Possibility to combine a flat seat and a cradle seat.  
 Possibilité de combiner un siège plat et un siège berceau.



PM741C



PM740S

## YERA: columpio / swing / balançoire

Madera laminada tratada en autoclave clase IV, polietileno y acero inoxidable.  
 Autoclave treated class IV laminated wood, polyethylene and stainless steel.  
 Bois stratifié traité en autoclave classe IV, polyéthylène et acier inoxydable.

**PM740H, PM740S, PM740C:**

barra superior de acero inoxidable / stainless steel top bar / barre horizontal supérieur en acier inoxydable.

**PM741H, PM741S, PM741C :**

barra superior de acero galvanizado / galvanised steel top bar / barre horizontal supérieur en acier galvanisé.



H



S



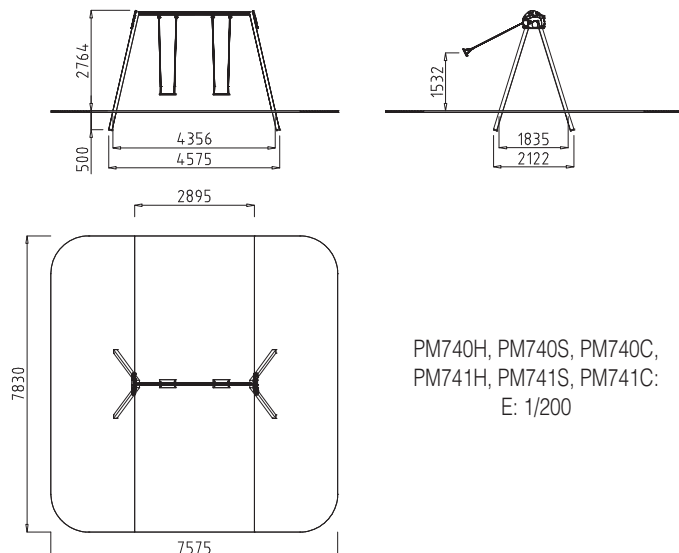
C

PM740H, PM740S, PM740C,  
 PM741H, PM741S, PM741C:



UNE-EN 1176.

- 1-12
- 1,53 m.
- 27,4 Kg.
- 0,09 x 0,09 x 3,41 m.
- 7,83 x 7,57 m.
- 7,83 x 2,89 m, 22,7 m².



PM740H, PM740S, PM740C,  
 PM741H, PM741S, PM741C:  
 E: 1/200



PM741H